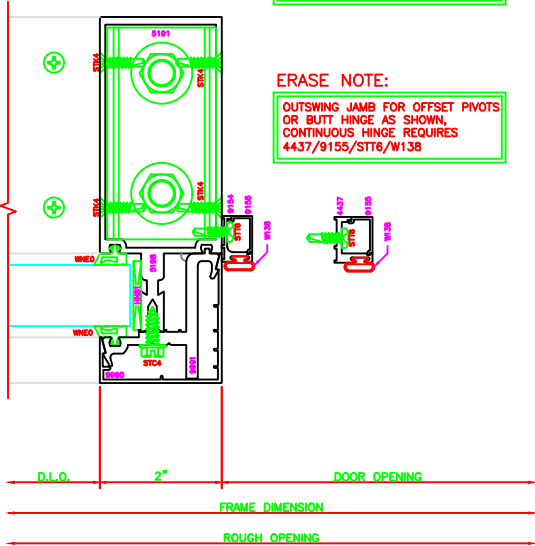


864 JAMB
5600
6"

ERECTOR NOTE:
APPLY CONTINUOUS BEAD OF SEALANT AROUND SHEAR BLOCK BEFORE SETTING MULLION IN PLACE

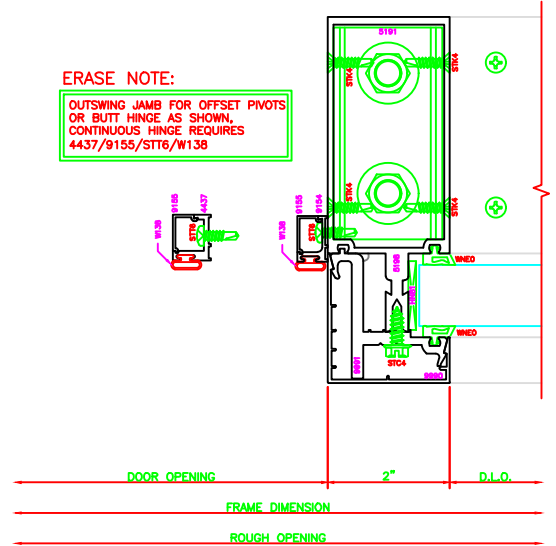
ERASE NOTE:
OUTSWING JAMB FOR OFFSET PIVOTS OR BUTT HINGE AS SHOWN, CONTINUOUS HINGE REQUIRES 4437/9155/STT6/W138



865 JAMB
5600
6"

ERECTOR NOTE:
APPLY CONTINUOUS BEAD OF SEALANT AROUND SHEAR BLOCK BEFORE SETTING MULLION IN PLACE

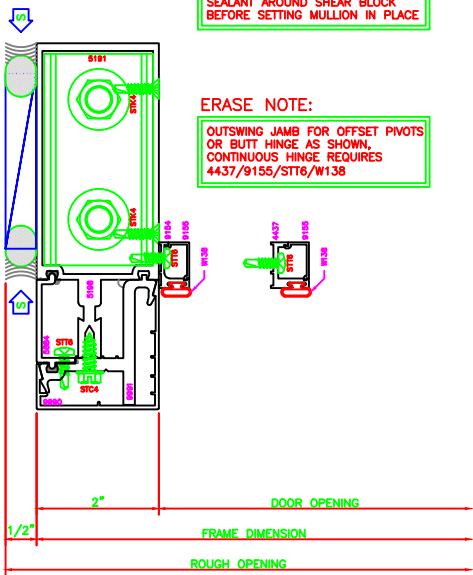
ERASE NOTE:
OUTSWING JAMB FOR OFFSET PIVOTS OR BUTT HINGE AS SHOWN, CONTINUOUS HINGE REQUIRES 4437/9155/STT6/W138



861 JAMB
5600
6"

ERECTOR NOTE:
APPLY CONTINUOUS BEAD OF SEALANT AROUND SHEAR BLOCK BEFORE SETTING MULLION IN PLACE

ERASE NOTE:
OUTSWING JAMB FOR OFFSET PIVOTS OR BUTT HINGE AS SHOWN, CONTINUOUS HINGE REQUIRES 4437/9155/STT6/W138



862 JAMB
5600
6"

ERECTOR NOTE:
APPLY CONTINUOUS BEAD OF SEALANT AROUND SHEAR BLOCK BEFORE SETTING MULLION IN PLACE

ERASE NOTE:
OUTSWING JAMB FOR OFFSET PIVOTS OR BUTT HINGE AS SHOWN, CONTINUOUS HINGE REQUIRES 4437/9155/STT6/W138

